



9:00 am - Registration

9:30 am - Mission Control Duties

Adapting the CSLP theme to fit **your** library.

10:35 am - Break

10:45 am - Preflight Checklist

Library Decoration, School Visits & Other Summer Reading Promotion

12:00 pm - Lunch

12:45 pm - BLAST OFF!!!

Weekly & Special Programs, Crafts and Activities.

2:00 pm - Break

2:10 pm - Jumping to Lightspeed

Additional Programming Ideas.

2:50 pm - The Hive Mind

Q & A and Idea Sharing

3:20 pm - Final Frontier



**Your
workshop presenter**

Will Stuck

willstuck@willstuck.com

816-390-4176

www.willstuck.com

This training is supported by the Institute of Museum and Library Services under the provisions of the Library Services and Technology Act as administered by the Missouri State Library, a division of the Office of the Secretary of State.

Nebula in a Bottle

Supply List :

- Clear container w/tight fitting lid. (Size of the container will determine the amount cotton & paint that you'll need)
- Tempera or Acrylic Paint (Pink, Purple, Blue & Black are the most commonly used)
- Water
- Cotton Balls
- Plastic/foam cups
- Pipette, funnel or squirt bottle
- Pencil or thin stick
- Fine glitter (optional)



Steps:

1. Thin down each color of paint with water. A different color in each cup.
2. Using pipette, funnel or squirt bottle add one color of paint into bottom 1/4 - 1/3 of clear container with one color of thinned paint.
3. Pull apart cotton and pack it into the container. Add enough cotton until it is completely submerged in that color.
4. Add a small amount of glitter (optional).
5. Repeat the previous steps, layering the different colors.
6. When container is filled, secure lid.
7. OPTIONAL-Add glue to lid to make sure it doesn't leak.

This training is supported by the Institute of Museum and Library Services under the provisions of the Library Services and Technology Act as administered by the Missouri State Library, a divi-



Your workshop presenter

Will Stuck
willstuck@willstuck.com
816-390-4176

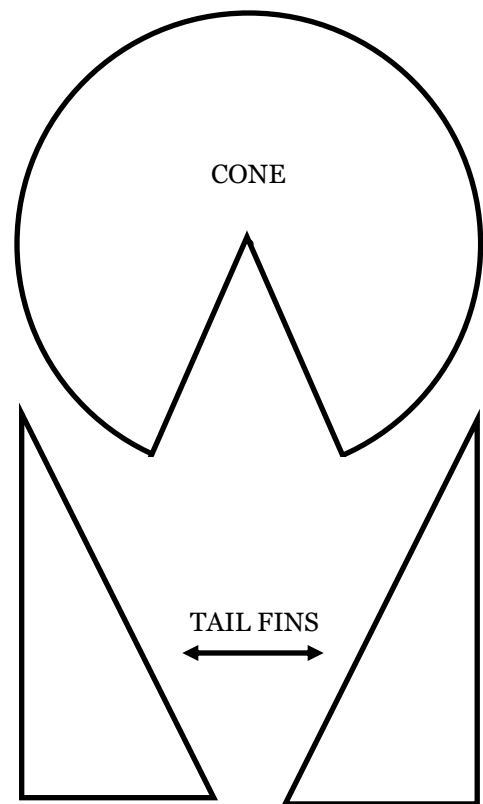
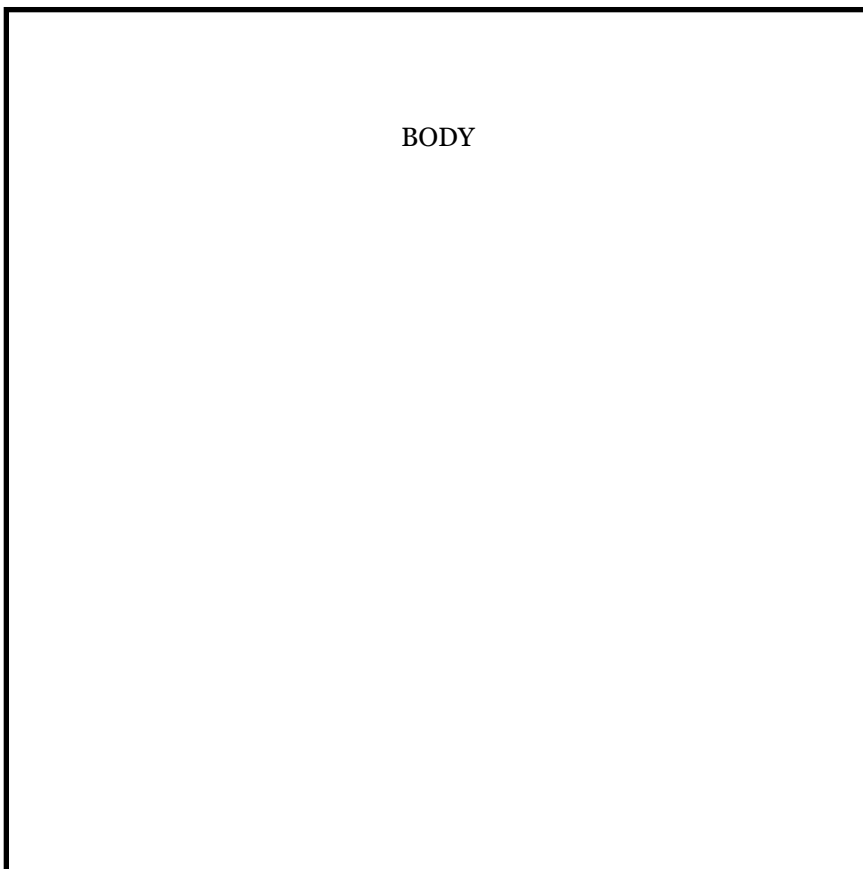
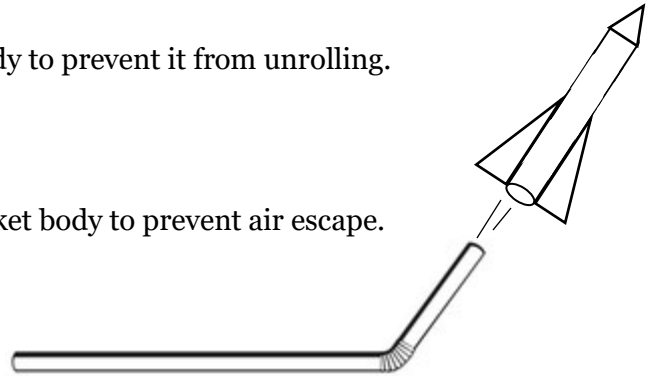
Straw Rockets

Supply List:

- Pattern printed on copy paper
- Bendy Drinking Straw
- Tape
- Pencil
- Scissors

Steps:

1. Cut out rocket pieces
2. Roll body of the rocket around a pencil tightly. Tape body to prevent it from unrolling.
3. Remove Pencil.
4. Fold & tape cone piece. Tape tightly onto end of the rocket body to prevent air escape.
5. Tape fins onto rocket body.
6. Insert drinking straw into body of rocket and blow!



This training is supported by the Institute of Museum and Library Services under the provisions of the Library Services and Technology Act as administered by the Missouri State Library, a divi-



Your workshop presenter

Will Stuck
willstuck@willstuck.com
816-390-4176

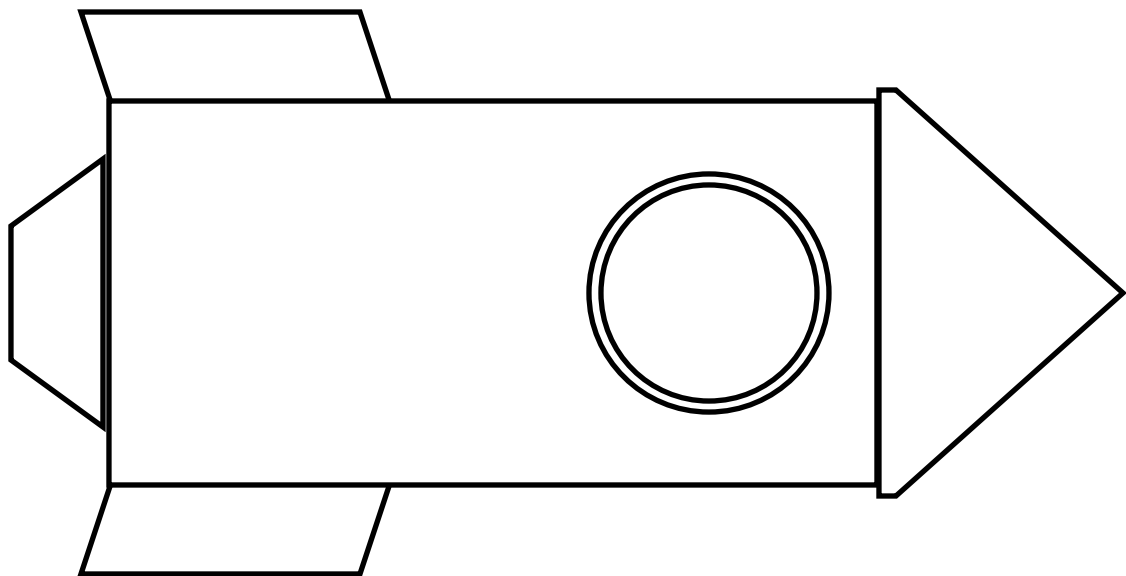
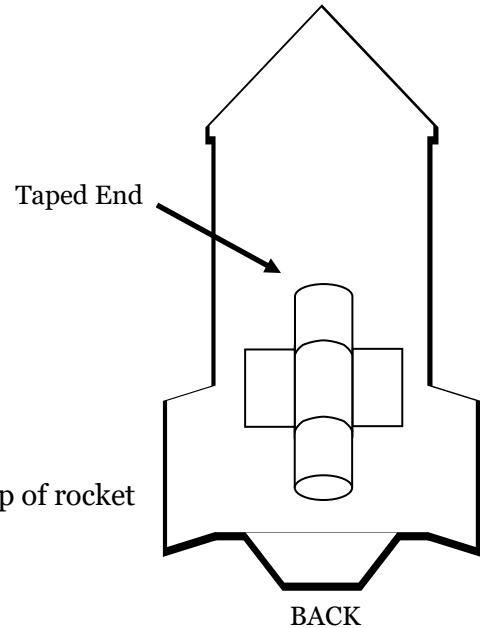
Pre-K Straw Rockets

Supply List:

- Pattern printed on card stock or heavy paper
- Shake Straw
- Drinking Straw
- Tape
- Crayons or Markers
- Scissors

Steps:

1. Color rocket
2. Cut out rocket
3. Cut 2.5 - 3 inch piece of shake straw
4. Cover one end of shake straw with tape
5. Tape shake straw to back of rocket, tape covered end facing top of rocket
6. Insert drinking straw into shake straw and blow!



This training is supported by the Institute of Museum and Library Services under the provisions of the Library Services and Technology Act



Your workshop presenter

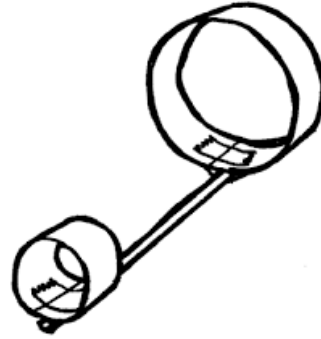
Will Stuck
willstuck@willstuck.com
816-390-4176

GLIDERS

HOOP GLIDER

Supply List:

- 3" X 5" Index Card
- Tape
- Drinking Straw
- Scissors



Steps:

1. Cut the index card or stiff paper into 3 separate pieces that measure 1 inch by 5 inches.
2. Take 2 of the pieces of paper and tape them together into a hoop. Be sure to overlap the pieces about half an inch. This helps the hoop keep shape.
3. Use the last strip of paper to make a smaller hoop, overlapping the edges a bit like before.
4. Tape the paper loops to the ends of the straw. The straw goes on the inside of the loops.
5. Hold the straw in the middle with the hoops on top and throw it in the air similar to how you might throw a dart angled slightly up.

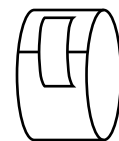
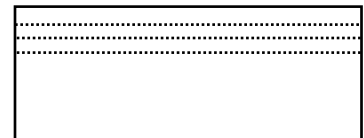
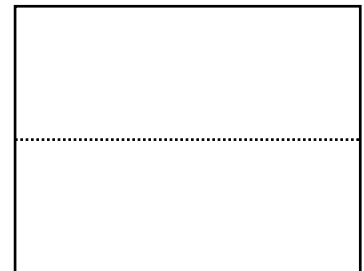
RING GLIDER

Supply List:

- 8.5" x 11" Sheet of paper
- Tape

Steps:

1. Fold paper in half
2. Fold long edge (with crease) over 1/2". Do this three more times.
3. Roll the paper to create a bend or curve. The folds should be on the inside of the curve
4. Form into a ring, overlap and tape.
5. Throwing this glider takes a bit of practice. When throwing overhand, you throw it like a football with some spin on it. When throwing underhand, you throw it like rolling dice. Underhand is usually more accurate but doesn't go as far.



This training is supported by the Institute of Museum and Library Services under the provisions of the Library Services and Technology Act

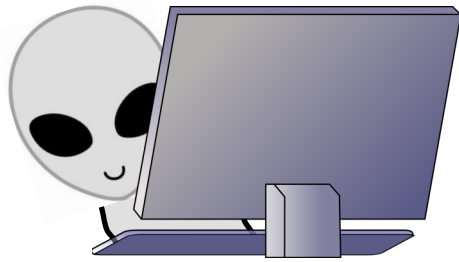


Your workshop presenter

Will Stuck

willstuck@willstuck.com

816-390-4176



Online Resources

1. **NASA Kid's Club** NASA's resources geared for kids. This site has information on current NASA missions, galleries, apps and more.
 - <https://www.nasa.gov/kidsclub/index.html>
2. **Space Day Camp Song Sheet.** Resource from a Cub Scout camp, where the first 5 of 9 pages are space themed piggyback songs. The first song mentions scouting and the last four are typical camp songs.
 - <https://ftclatsopbsa.files.wordpress.com/2011/07/2011-space-day-camp-song-list.doc>
3. **Steve Spangler Science.** A fantastic resource for science experiments and science supplies.
 - <https://www.stevespanglerscience.com/>
4. **Kid's Astronomy.** An astronomy site for kids with games, videos, lesson plans and printables.
 - <https://kidsastronomy.com/the-universe/constellation-hunt/>
5. **A to Z Homeschooling - Rocketry for Kids.** This website has instructions for building some simple rockets as well as links to other rocket related websites.
 - https://a2zhomeschooling.com/explore/astronomy/rocketry_kids/
6. **Pre-Kinders-Space Activities.** Simple space crafts for preschoolers.
 - <https://www.prekinders.com/space-theme/>
7. **Constellation Legends.** This resource contains the story behind the characters that make up the constellations, as compiled by Norm McCarter.
 - <http://www.tcoe.org/scicon/instructionalguide/constellations.pdf>

This training is supported by the Institute of Museum and Library Services under the provisions of the Library Services and Technology Act as administered by the Missouri State Library, a divi-



Your workshop presenter

Will Stuck
willstuck@willstuck.com
816-390-4176

News YOU Can Use

Save the Date!

THE 2019 OKLAHOMA TEEN BOOK CONVENTION returns Saturday, November 16, 2019 at the University of Oklahoma Memorial Union. The OKTBC is a FREE event for teens and YA lit fans. Check the OKTBC website in the spring for downloadable promotional items for schools and libraries, <https://oktbc.org/>

THE 2019 OKLAHOMA PERFORMERS SHOWCASE, <http://showcase.oklibraries.org/>, is Friday, September 27 at the Stillwater Public Library. If you know of a local performer who would be interested in performing in the Showcase, send their contact information to adrienne.butler@libraries.ok.gov

2019 Summer Reading Materials Order

SUMMER READING MATERIALS ORDERS ARE DUE FEB 1. Please submit your order on time. The link to the Survey Monkey form will arrive before December 21, 2018. Starting with the 2020 summer reading manual the single DVD will no longer be an option. Please consider ordering USB or Online.

Teen Challenges

THE OLA HIGH SCHOOL MASTERLIST SEQUOYAH VOTING CHALLENGE. The Enid Public Library is offering a challenge to Oklahoma libraries. We know teens are reading the books they just aren't voting. For more information, contact Gloria Cumpston, gcumpston@enid.org, 580 616-7182.

THE 2019 CSLP TEEN VIDEO CHALLENGE (TVC) is a go--with some exciting changes! An overview of the TVC is in the CSLP Teen Manual (pages 33-35) as well.

First, what will stay the same:

- The TVC invites teens to create and submit a PSA-type video promoting reading and library use to other teens.
- Each video needs to include the teen/teen team's interpretation of the 2019 CSLP theme, A Universe of Stories.
- Videos need to adhere to copyright law and be appropriate for all ages.
- Each of the five (5) winning teens/teen teams will receive a \$200 cash prize and the winners' local libraries will each receive a \$50 gift certificate from Upstart.

The changes:

- Instead of state winners, there will be five (5) national winners (this means that teens will submit videos directly to the national judging panel without having to go through State Reps).

- The program will accept submissions June 1-Aug 2, 2019, so that the program can be incorporated into summer programs (it's still a great opportunity to collaborate with schools with video production classes or clubs; students can produce the videos as a class project and submit them in June!).
- Videos will be up to 60 seconds long.
- Permission and model release forms won't be required until the finalists are selected, who will then need to supply the forms, completed correctly, to be able to win. The only form required upfront will be a simple online submission form.
- The TVC Ad-Hoc Committee will convene a judging panel from CSLP partners and members.
- Video uploads will not be limited to YouTube and Vimeo; rather, teens can upload their creations to the social media outlet of their choice.

There will be additional resources about the 2019 TVC on the CSLP website for public librarians to use to promote the contest to teens, including the submission form, a program logo, flyer, social media blurbs, and additional tools.

Performers

SUMMER READING PRESENTERS ARE ON THE CYA WIKI, <http://cyawiki.oklibraries.org/> -- Throughout winter and spring, the wiki has the latest performer information. The form allows for presentations for 2019 – 2021 summer reading programs. You will find additional presenters on the Oklahoma Performer Showcase by downloading the 2018 Performers Directory, <http://showcase.oklibraries.org/>.

2019 Summer Reading Partnerships

THE SPACE SCIENCE INSTITUTE (SSI) is home to the STAR Library Network (STAR Net) and its NASA@ My Library program. The STAR Net team in partnership with the Collaborative Summer Library Program (CSLP) is working together to share science- and technology-related activities and resources to libraries across the nation as part of 2019 summer learning program – *Universe of Stories*. NASA@ My Library will be sharing many more resources in the months ahead. Stay tuned: <https://www.cslpreads.org/>. STAR Net focuses on helping library professionals facilitate STEM learning for their patrons by providing “science-technology activities and resources” (STAR) and training to use those resources. Whether you are new to STEM or are building on experiences, STAR Net offers resources and collaborations to take lifelong STEM learning to new levels in your library: <http://www.starnetlibraries.org/resources/webinars/>

HUNGER FREE OK – There were twenty-seven library summer meals sites this past summer. This is an increase of ten sites from 2017. This is exciting growth and they want to continue to build on the momentum. If you are currently not offering meals and would like more information, send me an email if you are interested.

OKLAHOMA CITY ZOO 2019 “OUR DAY AT THE ZOO” BOOK PROGRAM

- LIBRARIES: 240 Oklahoma Public Libraries (19 in the OKC metro)
- VOUCHERS: Each library would receive 100 vouchers for group of four (4) to have free general admission to the OKC Zoo (retail value of \$44.00). This is equal to \$4,400 value per library, or more than \$1,000,000 in free admissions statewide!
- POSTERS: The OKC Zoo would mail two (2) copies of a poster to each library along with the vouchers.
- BOOKS: We would not mail out new copies of Our Day at the Zoo. We only have a few copies left, so libraries would need to use previous copies.
- PROMOTION: The OKC Zoo would send joint press release and launch a statewide Facebook ad campaign on Monday, February 25 that pushes the program. The campaign would feature the attached video made two (2) years ago: <https://www.facebook.com/okczoo/videos/10154195743082385/>

CSLP 2019 SRP Resources

Summer reading webinars from North Carolina and Iowa:

<https://www.csllpreads.org/csllp-webinars/>

Summer Reading 2019 Downloadable

Download fonts, images, videos, PSA’s, and more...

<https://www.csllpreads.org/membership-sponsorship-2/member-libraries/proprietary-downloads/>

Inclusion Resources for 2019 SRP

Librarians looking to include youth with disabilities can find resources here...

<https://www.csllpreads.org/inclusion-resources/>